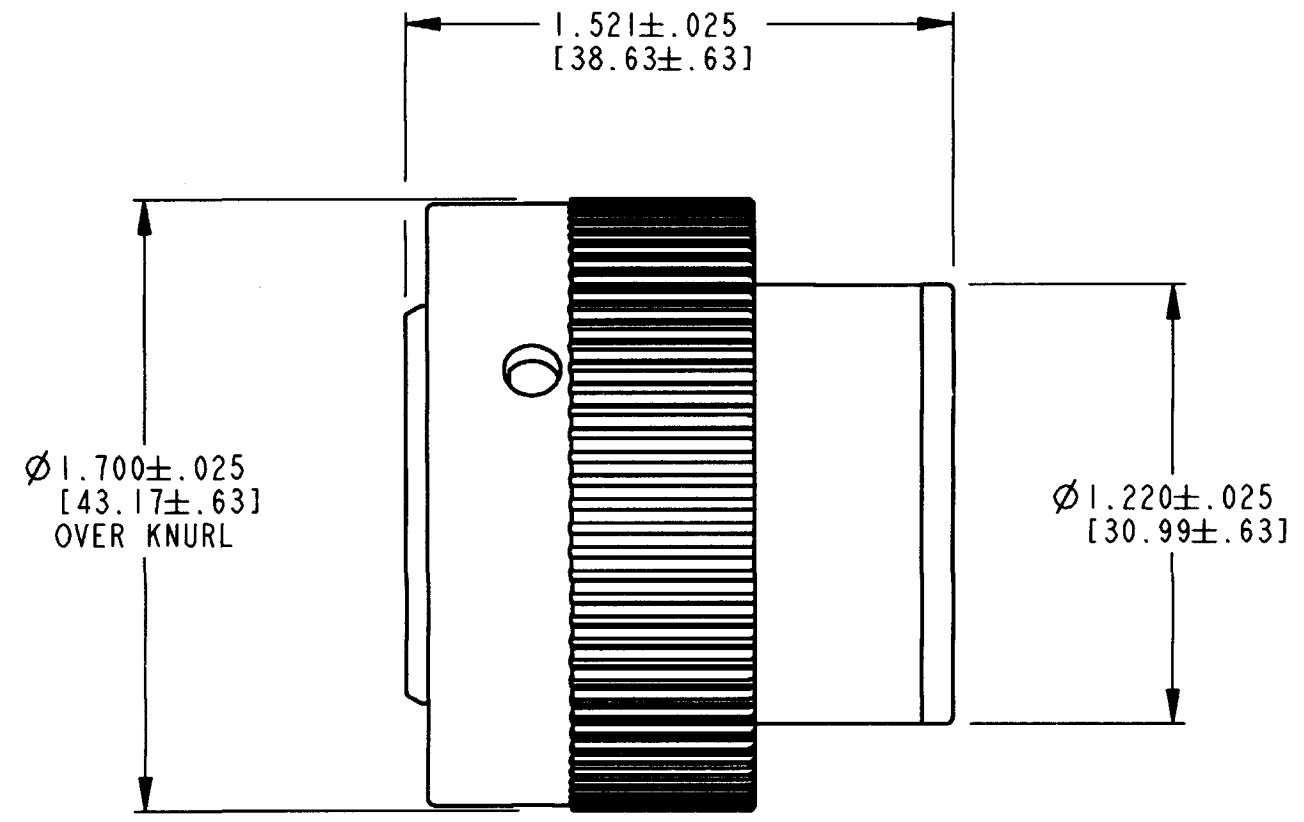
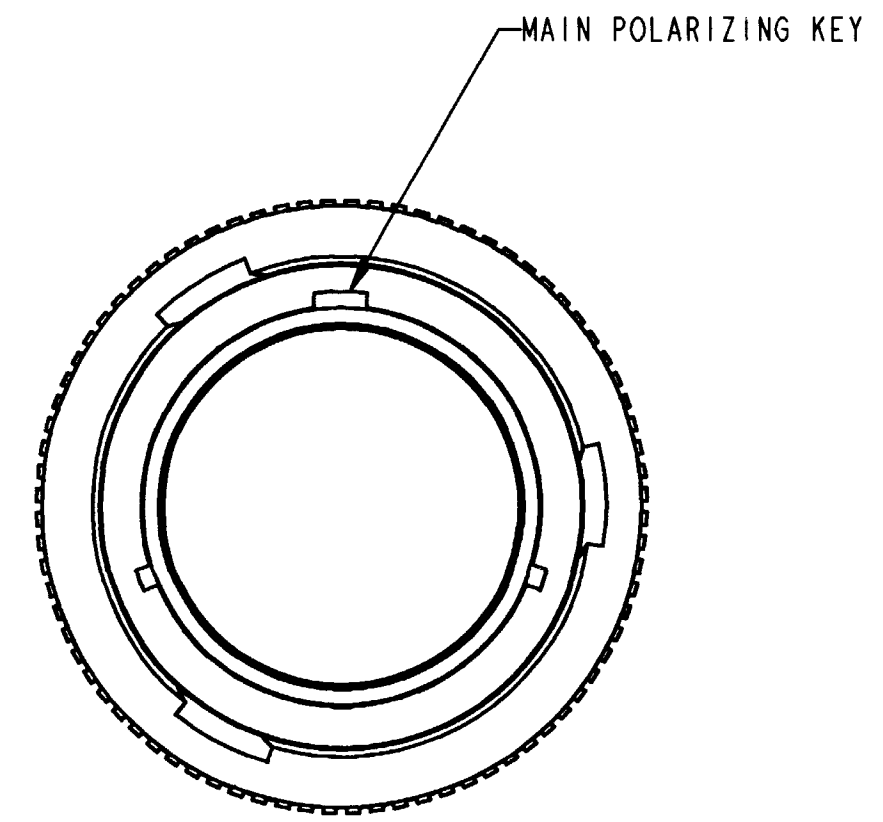


REV A	HDP26-18-***P/S*	REVISIONS		
SYM	DESCRIPTION	DATE	APPROVED	
NC	NEW RELEASE PER E.O. PI6488	1-27-00	RDR	
A	REVISED PER E.O. PI6875	9-29-00	RDR	



- NOTES:
1. CONSULT FACTORY FOR ELECTRICAL AND MATERIAL SPECIFICATIONS.
 2. DIMENSIONS ARE IN INCHES [MILLIMETERS].
 3. FOR PERFORMANCE AND APPLICATION CHARACTERISTICS SEE ENVELOPE DRAWING 0425-021-0000.
 4. FOR CONTACTS AND WIRES PERFORMANCE AND APPLICATION CHARACTERISTICS SEE ENVELOPE DRAWING 0425-015 0000.
 5. FOR ARRANGEMENT OF CONTACT LOCATION SEE ENVELOPE DRAWING 0425-013-1800.
 6. THIS PART MATES WITH HDP24-18-***S/P*.

SIGNATURE & DATE		PLUG CONNECTOR SHELL SIZE 18 BAYONET COUPLING HDP20 SERIES	CP	MATL. CODE
DR	S. BEARD 12JAN00		The Deutch Company DEUTSCH I.P.D. 3850 INDUSTRIAL AVE. HEMET, CALIF. 92545	
CHK	<i>[Signature]</i> 9/29/00		B HDP26-18-***P/S*	
PE	<i>[Signature]</i> 9-25-00			
APPD	<i>[Signature]</i> 9-29-00		DWG SIZE	CODE 11139
SCALE	NONE	WT	ENVELOPE	